



| OUTPUT VOLTAGE | OUTPUT CURRENT | OUTPUT POWER | MODEL NUMBER |
|----------------|----------------|--------------|-------------------|
| | | | 4.5 - 5.5 V INPUT |
| 5 VDC | 1000 mA | 5W | TD1-5S0505 |
| 12 VDC | 500 mA | 6W | TD1-6S0512 |
| 15 VDC | 400 mA | 6W | TD1-6S0515 |
| ±5 VDC | ±500 mA | 5W | TD1-5D0505 |
| ±12 VDC | ±250 mA | 6W | TD1-6D0512 |
| ±15 VDC | ±200 mA | 6W | TD1-6D0515 |

ELECTRICAL SPECIFICATIONS

All Specifications Typical @+25°C, Nominal Line, and Full Load Unless Otherwise Noted.

INPUT SPECIFICATIONS

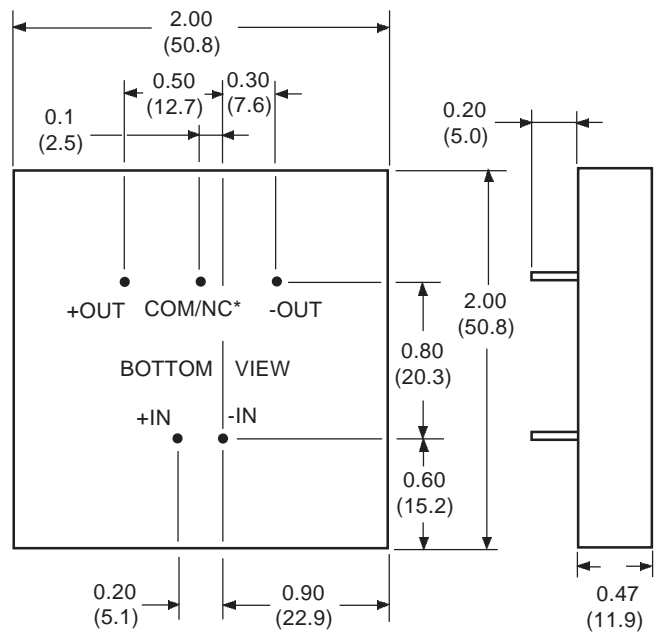
Nominal Line, 4.5-5.5V Input.....5 VDC
 Input Filter.....Pi Type
 Reverse Voltage Protection.....Internal Shunt Diode
 Use External Fuse

OUTPUT SPECIFICATIONS

Voltage Accuracy.....±2%, Max.
 Minimum Load, Single.....Not Required
 Dual.....20%
 Line Regulation.....±1%, Max.
 Load Regulation, Single NL-FL.....±2%, Max.
 Dual, 20%FL-FL.....±5%, Max.
 Ripple and Noise, 20MHz BW.....100mVp-p, Max.
 Short Circuit Protection.....Countinuous

GENERAL SPECIFICATIONS

Efficiency.....75% - 81%
 Isolation Voltage, Input to Output.....1,500 VDC, Min.
 Switching Frequency, 10W/15W.....200 KHz, Typ.
 Operating Temperature Range.....-25°C to +71°C
 Derating.....Derate Linearly from 100% at +71°C
 to 0% at +100°C
 Case Temperature.....+100°C
 Storage Temperature Range.....-40°C to +100°C
 Cooling.....Free Air Convection
 Weight.....2.3 oz. (65 grams)
 Case Material.....Metal with Non-Conductive Base



* NC (NO CONNECTION) ON SINGLE OUTPUT MODELS

PIN SIZE: 0.04 INCH (1.0 mm) DIA.

ALL DIMENSIONS IN INCHES (mm)